

# A Design on Smart Soil Analysis and Predicting the Irrigation System using IOT

Sowmyashree S

Department of Computer Science & Engineering East West  
Institute of Technology  
Bengaluru, India

Chetana Srinivas

Assistant Professor  
Department of Computer Science & Engineering East West  
Institute of Technology  
Bengaluru, India

**Abstract:-** This paper presents the structure of wireless sensor network (WSN) system for the keen valuation of soil conditions. The WSN is surrounded by outstandingly low power independent sensor and uses Iot and cloud organization correspondence shows to make spatial scattering maps of soil factors at two particular levels beneath the ground. An artificial neural framework is used to look at the deliberate data and gauge the degrees of phosphorus in soil. This segment clears the need to accomplish monotonous research office assessment to constantly screen the estimation of the nutrients. Thinking about the changing pace of soil phenomenon consistently, a novel force the board approach is applied, allowing the framework to develop a versatile balance between the energy usage and the exactness of phosphorus estimation. In the proposed exactness agribusiness structure allows the execution of an adaptable procedure that can be changed in accordance with different kind of yields and rural regions. Experimental outcomes got in lab and on field approve the framework execution and dependability.

**Keywords:-** Aurdino mega, Internet of Things, Soil Moisture Sensor, Temperature, Humidity.

## I. INTRODUCTION

Farming is the foundation of each economy. In a nation like India, which has regularly expanding request of nourishment because of rising population, propels in farming segment are required to address the issues. From old period, agriculture is considered as the fundamental and the premier culture practice in India. Ancient people develop the crops in their own property thus they have been obliged to their necessities. Therefore, the common crops are developed and have been utilized by numerous creatures, for example, human beings, animals and birds. The greenish goods delivered in the land which have been taken by the creature prompts a healthy and welfare life. Since the creation of new imaginative advancements and strategies in the agricultural field is gradually degrading. Due to these, abundant creation individuals are been focused on developing Artificial products that is mixture products where there prompts an unhealthy life.

These days, present day individuals don't have mindfulness about the development of the yields in a right time and at a right place. As a result of these developing strategies the regular climatic conditions are likewise being changed against the central resources like soil, water and air which lead to Weakness of nourishment. By investigating every one of these Issues and issues like climate, temperature and a few variables, There is no legitimate arrangement and advances to defeat the circumstance looked by us. In India there are a few different ways to expand the affordable development in the field of agriculture. Data can be changed over into information about recorded examples and future patterns. There are various approaches to increment and improve the crop yield and the nature of the yields. Information digging additionally helpful for anticipating the crop yield creation. Generally, information handling is the way toward separating data from interchange perspectives and condensing it into valuable information. At the present time reasoning for smart developing is used by associating a brilliant recognizing system and sharp water system structure through remote correspondence advancement.

The AI is utilized to distinguish the sort of soil and data are prescribed to the farmer about the manure, water the board that is reasonable for the specific crop yield. For instance, the data about yield creation can empower the farmers to recognize crop misfortunes and forestall it in future. Crop yield expectation is a significant farming issue. Before, yield expectation was determined by breaking down farmer's past understanding on a specific crop. The Agricultural yield is essentially relies upon climate conditions, soil, manures, and so on. Precise data about history of crop yield is something critical for settling on choices identified with agricultural hazard the board. In this way, this paper proposes a plan to gauge the dirt sort for the keen water system utilizing IOT.

The machine learning is employed to spot the sort of soil and knowledge are recommended to the farmer about the fertilizer, water management that's suitable for the actual crop yield. For instance, the information about crop production can enable the farmers to distinguish the yield misfortunes and stop in future. Crop yield prediction is a vital farming problem. Within the past, yield forecast was determined by breaking down farmers past understanding on a particular crop.

These advancements help farmers to understand the significance of earlier crop prediction, to thrive their essential information about soil type, fertilizers and water overseeing is done so as to accomplish high crop yield through our innovation arrangement. A few frameworks propose crop arrangement relying upon yield rate and market cost. The framework proposed attempts to defeat these. The exactness level would be high when contrasted with equipment based arrangements, since parts like soil type, pH esteem, climate conditions, fertilizers, water management all come into picture and can prescribe the necessary information to the farmer.

## II. ROLE OF IOT IN AGRICULTURE

India's significant wellspring of pay is from agricultural area where 70% of farmers and general people depend upon the farming. India's water framework

structure for the farmers are picked most of the techniques physically, for instance, stream, terraced, dump water system course of action [1-5]. In order to improve to the yield productivity there is a need for changing manual technique to automation [6]. Moreover consider the water accessibility all through India as it is one of the significant resources for secure and set something aside for future. The world is floating towards new progressions and executions it is a major goal to incline up in agriculture too. Various researches are done in the field of agriculture and by far most of them mean the usage of wireless sensor to compose the accumulate data from different sensors to various hubs and send it through the remote show. Accordingly, this paper deals with making smart agriculture using IoT and given to farmers. Embedded based modified water framework system is proper for farmers accessible requiring little to no effort effectively introduce [7].



Fig 1:- Overview of IOT

This structure should help the farmers that gives water to alter at rigid time and amount. Internet of things (IOT) is allowing to control systems from remote area over a web. It can control the sensors which are used at various locales blinding streets railways matrices, water control structures. So it can avoid the human blunders and mistakes appear during structure worked [11].

In fig 1. IOT is creating an area that infiltrates other region and made them beneficial. It develop now a days by thought of new sensors, sensor organize, and RF based on communications [17, 18]. It can shows keen information, careful recognizing nearby extraordinary distinctive evidence. When included circulated registering with IOT a movements has occurred in PC organize based developments and flexible based advancement. Present days various frameworks are NFC, RFID, WLAN, GSM , Zigbee , WiMax, 3G , WPAN, Bluetooth , LTE that makes IOT so brilliant structure and work system at the remote spots. To adjust up to this use of temperature, moisture and sensors are put at the reasonable regions for watching the yields. After the research in the farming field, authorities found that the yield of agriculture is reducing bit by bit. In any case, use of development in the field of agriculture accept a critical activity in growing the creation similarly as

decreasing man power. The distributed computing devices make a whole figuring structure from sensors to gadgets that watch data from farming field and absolutely store the data into the stores .This idea proposes a novel procedure for brilliant cultivating by interfacing a smart distinguishing structure and smart water framework system through remote correspondence advancement. It proposes a negligible exertion and capable wireless sensor mastermind technique to acquire the soil moisture ,Humidity , temperature from various areas of field and as per the need of yield water motor is enabled .It proposes an idea with respect to how robotized water framework system was made to upgrade water use for rural purposes.

## III. LITERATURE SURVEY

In this segment, we talk about the appropriate prior research that is done dependent on the agriculture using IOT.

In the continuous years, IoTs have been applied in various assessments and applications. The uses of innovation in the field of agriculture is used to improve crop yields and to decrease costs.

Cultivating is a transcendently manual procedure. The fuse of any type of robotization through the methods for AI calculations is still in beginning stage. This paper presents to make familiar about crucial methodology with introduce the utilization of AI frameworks in the cultivating procedure. A similar report between AI calculations had been completed so as to figure out which calculation is the most precise in foreseeing the best crop for a specific land [1]. Wireless sensor Network is new development to world and country like India where it can used in Agriculture Sector in India for growing yield by giving early desire for plant disorders and disturbance. This paper gives an arrangement to how to convey WSN on field and how Machine learning model is fitted for desire for irritation/infections using Navie Bayes Kernel Algorithm [2]. With the impact of environmental change in India, prevailing piece of the rural crops are in actuality genuinely affected similar to their presentation over a period of latest two decades. Anticipating the crop yield well before it's procure would help the technique makers and farmers for taking reasonable measures for advertising and limit. Such estimates will in like manner help the related endeavors for masterminding the coordination of their business.

In the present examination an item gadget named 'Crop Advisor' has been made as a simple to utilize site page for anticipating the effect of climatic parameters on the crop yields. C4.5 count is used to find the most influencing climatic parameter on the crop yields of picked crops in picked district of Madhya Pradesh. [3]. This examination contemplates two AI computations to anticipate neighborhood winter wheat yields. The models, considering Boosted regression trees (BRT) and Support vector machines (SVM), are worked of Normalized difference vegetation indices (NDVI) got from low objectives Spot Vegetation imagery. Three sorts of NDVI-related indicators were used: Single NDVI, Incremental NDVI and Targeted NDVI. BRT and SVM were first used to pick features with high significance for predicting the yield [4]. A machine learning model for anticipating the sugarcane yield evaluation of an individual plot. The dataset utilized right now got from a lot of sugarcane plots around a sugar factory in Thailand [11]. The highlights utilized in the expectation comprise of the plot attributes (soil type, plot region, groove width, plot yield/yield evaluation of the most recent year), sugarcane qualities (stick class and type), plot development conspire (water asset type, water system technique, pestilence control strategy, compost type/recipe) and rain volume. [5]. Agriculture is a significant wellspring of acquiring of Indians and agriculture has had a major effect on India's economy. This paper proposes a modified water framework with system for the territories which will diminish physical work and improving water use expanding profitability of yields. For defining the arrangement, Arduino pack is utilized with moisture sensor with Wi-Fi module. The information is broke down by cloud benefits and proper proposals are given [6]. Smart farming is a developing idea, in light of the fact that IOT sensors are equipped for giving data about agriculture fields and afterward follow up on dependent on the user input this system is proposed to

develop an agriculture System that uses positive conditions of driving edge progressions, for instance, Arduino, IOT and Wireless Sensor Network [18]. The component in this paper incorporates progression of a framework which can screen temperature, moisture and even the advancement of animals which may destroy the crops in country field through sensors using Arduino board and if there ought to emerge an event of any irregularity send a SMS notice similarly as a notice on the application made for the proportionate to the farmers phone using Wi-Fi/3G/4G [7]. since autonomy, India has gained monstrous ground in the farming segment to satisfy the regularly developing needs. The idea of detecting to screen crop development at different levels is exhibited right now. As the worldwide population takes off from the present 7.3 billion to an expected 10 billion by 2050, the interest for Food, Energy and Water (FEW) is relied upon to dramatically increase. This paper is proposing a framework created to streamline the utilization of water, energy, fertilizers for agricultural yields as an answer for this incredible test. [9]. IoT advances can be used in keen developing to upgrade nature of farming. This paper incorporates various features like discovery in leaf contamination, server based remote watching system, Humidity and temperature identifying, Soil moisture sensing, etc. It uses sensors frameworks for estimation of moisture, temperature, and humidity instead of manually checking [15]. Different Sensors are sent in different areas of the farms, all of these sensors are controlled by a controller called Raspberry PI. Plant sickness could be recognized by camera interfacing with the RPI. Speedy status of a farmers like a Plant ailment and other regular segments affecting yield like moistness, temperature and humidity is sent using WIFI Server through the RPI to farmers. The examination of IOT strategies in the paper displayed to fascinate the use of advancement in Agriculture [10].

#### IV. EXISTING SYSTEM

In the current arrangement of agriculture the farmers need to develop crops physically. The farmers don't know about the innovation that are being utilized in agriculture. Due to the illness in the crops the efficiency is less and the farmers don't know about the yield infection and pesticides that are utilized for the development of the crops and increment their profitability.

##### ➤ *Disadvantages of existing systems*

- Less information about climate conjecture.
- Poor ICT (Information and Communication Technology) framework.
- Marketing research aptitudes and research focus.
- High cost apparatuses for work.
- More manual work.
- Keeping track of record physically.

**V. SYSTEM DESIGN**

➤ *System Architecture*

The sensors are interfaced with the microcontroller Arduino which is used as open source software which contains a physical programmable circuit board and a coordinated improvement condition used to change over PC code to physical board It is easier to use than most other hardware for this purpose as it can be connect using a USB.

In the fig 2 A soil moisture sensor will measure and consistently reports the relative data in the soil. The water level sensor is utilized for watering the sufficient measure of water to the yields. DC motors and the water pumps are operated according to the data received. The GSM module is to send message to the farmer regarding type of soil and the crops ,fertilizer that are to be used for the better yield of the crops in the field. All values received are showed on the LCD display.

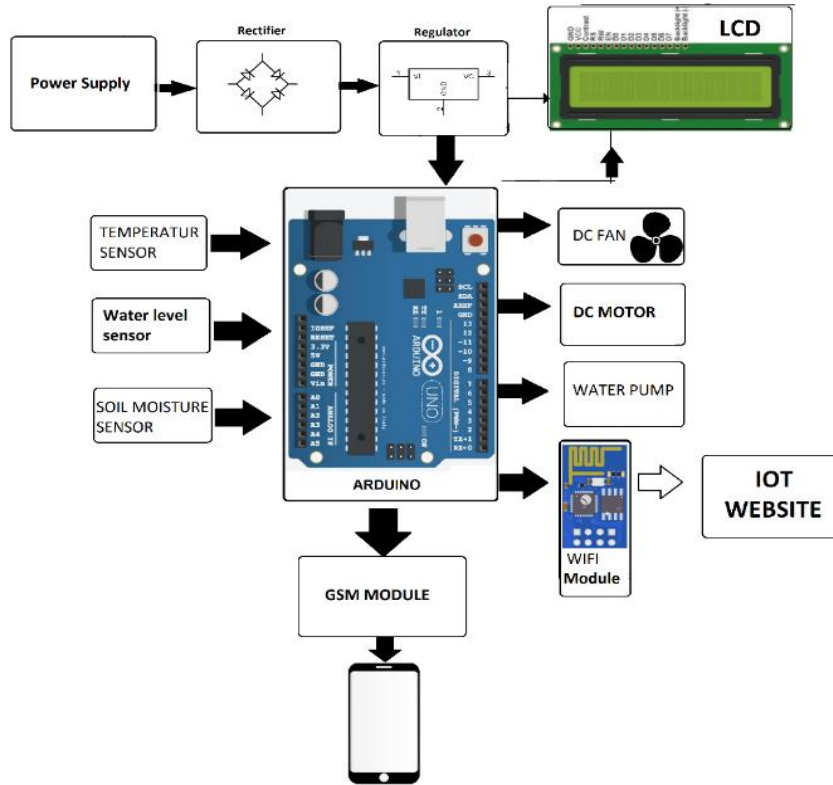


Fig 2:- Smart agriculture architecture.

*A. Smart soil management*

A soil is seen as fertile if it as capacity to flexibly plant nutrients, soil, and water in satisfactory amount and degrees for plant advancement and reproduction. Soil pH is considered for the assurance of reasonable utilization of fertilizers, as soil PH is determined as the significant property adding to soil richness. Soil PH is extent of the acidity or basicity of the soil. It is assessed as soil mixed with water and regularly it falls in the scope of 3 and 10, with 7 as neutral. On the off chance that the soil have a PH beneath 7, then they are seen as acidic and soil having a PH more than 7 is basic. Soil pH explicitly influence plant nutrient availability by controlling chemical sorts of the

different nutrients. The use sensor assists with evaluate soil moisture helps with relevant water system decision.

*B. Smart Water Management*

The key methodologies are equipment excess, programming straightforwardness, and remote control of the whole framework. The design that have been proposed fundamentally includes a WSN-based checking framework that is modified for in-situ LAI evaluation. Alongside this, two fundamental estimation positions are required: a ground level sensor beneath the canopy (G) and a relating above reference sensor (R), both estimating the approaching sunlight based on the PAR range.

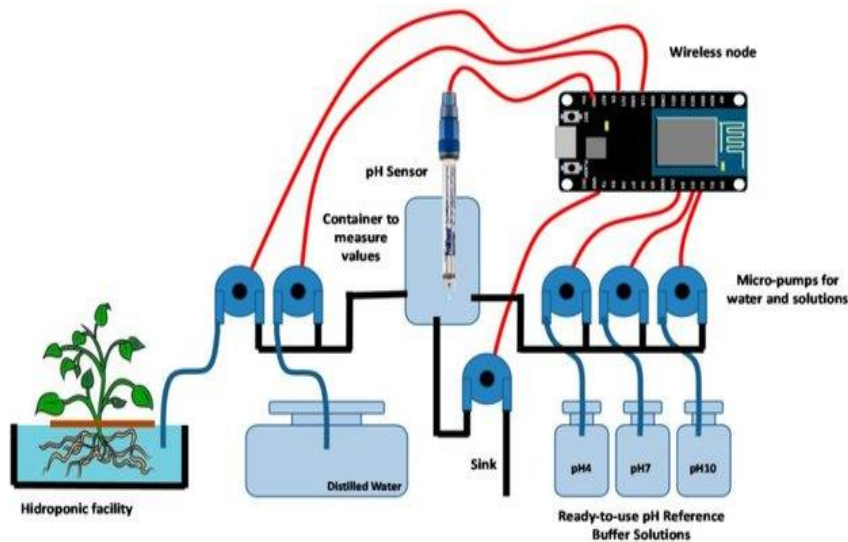


Fig 3:- smart water management

In this fig 3 the central base station goes about as an entryway to a traditional IP-based IoT organize. The data collected by sensors and accumulated by the base station is also transmitted to Farm Management Information System (FMIS) for data analytics and visualization.

**C. Smart Crop Management**

The high precision checking the data and control farming mechanization system using IoT advancements. Aurdino and cloud based IOT system to observe the constant data begin originated in crop field. The framework on a very basic level spotlights on soil moisture varieties relate with temperature changes data by sensors and control water system.

**D. Smart Fertilizer Management**

Development in farming using IoT is set to push smart agriculture to next level Internet of things is a framework involves sensors which offers system to the web straightforwardly. This paper incorporates various highlights like recognizable proof of leaf disease, server based remote checking framework, Humidity detecting and temperature detecting, soil moisture sensing.

**E. Data Processing and Machine Learning In IOT**

➤ **Datasets**

The different datasets are used for the prediction of soil moisture. The dataset used is the Braggs Farm data located in Alabama. It comes under the Natural Resources Conservation Service of the United States Department of Agriculture. The samples contain the daily recorded soil moisture at a depth of two inches collected on an hourly basis. Three machine learning techniques such as multiple linear regression, support vector regression and recurrent neural network is used for model development.

➤ **Multiple linear regression**

It is a regularly used regression strategy in a wide variety of issues. Multiple linear regression assumes linear relation between the variables and attempts to fit all the given information points with a straight line minimizing the residual error. It is an extended form of the linear regression. As it considers all the data points while finding the optimal line.

➤ **Support Vector Regression**

The support vector regression depends on the idea of vectors and since it depends upon certain data points it is less prone to outliers. For regression task, the loss function is characterized such that it ignores the mistake for the data points which are within a specific distance from the true values.

S. no.	Techniques	MSE( 1 day ahead)	MSE( 2 days ahead)	MSE( 7 days ahead)	R <sup>2</sup> (1 day ahead)	R <sup>2</sup> (2 days ahead)	R <sup>2</sup> ( 7 days ahead)
1.	Multiple Linear Regression	0.15	0.40	1.2	0.96	0.90	0.713
2.	Support Vector Regression	0.14	0.42	1.3	0.96	0.90	0.68
3.	Recurrent Neural Network	1.28	1.8	3.2	0.84	0.80	0.76

Table 1:- comparison of datasets for soil moisture

The correlation consequences of all machine learning models is recorded in table 1.

**VI. RESULT**

It is observed that the MLR has MSE of 0.16 for 1 day, 0.41 MSE for 2 days and 1.1 MSE for 7 days. Thus the R2 for 1 day is 0.95, for 2 days is 0.91 and for 7 days is 0.714 .In a similar way SVR has the MSE 0.15 for 1 day ,0.43 for 2 days and 1.5 for 7 days and for r2 of 0.95 for 1 day ,0.92 for 2 days and 0.67 for 7 days.

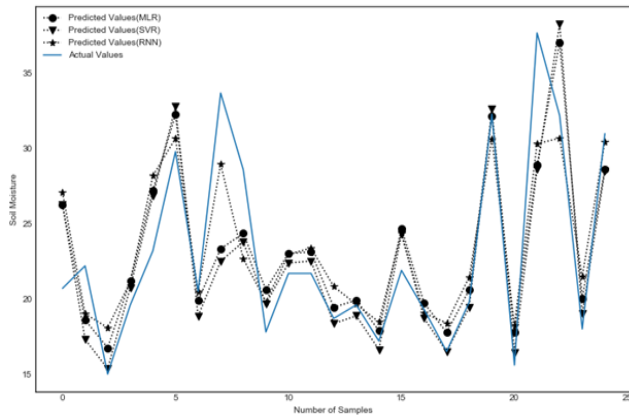


Fig 4:- Graphical representation of samples

In Fig 4 RNN the MSE for 1 day ahead is 1.25, for 2 days ahead is 1.7 and for 7 days ahead is 3.1 for R2 it is 0.97, 0.923 and 0.75 individually. Consequently it is seen from the organized outcomes that MLR shows better prescient ability in contrast with the other two techniques. It is additionally seen that RNN is definitely not a decent prescient model as its outcomes are inferior to both MLR and SVR.

## VII. CONCLUSION

In this paper, we propose an idea of combining the latest advancement into the agrarian field to turn the standard methods for water system to current methodologies thus making simple profitable and temperature trimming. Some level of mechanization is presented to observe the field and the product conditions inside some long-separate extends using cloud organizations. The data points like water saving and work saving are started using sensors that work continuously as they are changed. This thought of modernization of farming is clear, reasonable and operable. As depending upon these parameter regards farmers can pick which fungicides and pesticides are used for improving crop creation. This methodology thinks about that soil breath rates during the day are influenced by temperature, moistness and conductivity changes, and subsequently associated with sorption/desorption, notwithstanding other natural exercises. After the fundamental parameters are estimated by the sensors, a artificial neural system is utilized to look at the data and estimates the level of phosphorus in the soil, creating continuous spatial circulation maps of soil parameters at two distinctive root-levels.

## ACKNOWLEDGMENT

The fulfillment and happiness that go with the fruitful completion of an undertaking would be incomplete without the notice of the individuals who made it possible and without whose consistent direction and support, achievement would not have been possible. I would like to convey my thanks to Dr. K Channakeshavalu, Principal/Director, East West Institute of Technology, Bengaluru for all the facilities that he has extended all through my Paper work. I might want to communicate my

genuine gratitude to Dr. Narasimha Murthy M S, Head of Department, Computer Science and Engineering, East West Institute of Technology, Bengaluru for his significant direction, support and recommendations which helped me a lot in the fulfillment of the Paper work. I might want to communicate my earnest gratitude to my Guide, Prof. Chetana Srinivas, Assistant Professor, Department of Computer Science and Engineering, East West Institute of Technology, Bengaluru for her significant direction, encouragement and suggestions which helped me a lot in the completion of the Paper work. I might want to communicate my true gratitude to my PG Coordinator, Prof. Dhanraj S, Assistant Professor, Department of Computer Science and Engineering, East West Institute of Technology, Bengaluru for his important direction, support and recommendation which helped me a great deal in the fulfillment of the Paper work.

## REFERENCES

- [1]. S,muthunpandian, S.Vigneshwaran , R.C Ranjitsabarinath , Y.Manojkumarreddy "IOT Based Crop-Field Monitoring And Irrigation Automation" Vol. 4, Special Issue 19, April 2017
- [2]. Joaquín Gutiérrez, Juan Francisco Villa-Medina, Alejandra Nieto- Garibay, and Miguel ÁngelPorta-Gándara "Automated Irrigation System Using a Wireless Sensor Network and GPRS Module" IEEE Transactions on Instrumentation and Measurement, Vol 17, 2017
- [3]. Mohan raj I KirthikaAshokumarb, NarenJ" Field Monitoring and Automation using IOT in Agriculture Domain" IJCSNS, VOL.15 No.6, June 2015
- [4]. Michael G Williams "A Risk Assessment on Raspberry PI using NIST Standards "Version 1.0 December 2012.
- [5]. Hands-on Python by Dr. Andrew N. Harrington K.Lakshmisudha, SwathiHegde, Neha Kale, ShrutiIyer, " Smart Precision Based Agriculture Using Sensors", International Journal of Computer Applications (0975-8887), Volume 146-No.11, July 2011.
- [6]. NikeshGondchawar, Dr. R.S.Kawitkar, "IoT Based Smart 404Agriculture", IJARCCCE, Vol.5, Issue 6, June 2016.
- [7]. M.K.Gayatri, J.Jayasakthi, Dr.G.S.Anandhamala, "Providing Smart Agriculture Solutions to Farmers for Better Yielding Using IoT", IEEE International Conference on Technological Innovations in ICT for Agriculture and Rural Development (TIAR 2015)
- [8]. ChetanDwarkani M, Ganesh Ram R, Jagannathan S, R.Priyatharshini, "Smart Farming System Using Sensors for Agricultural Task Automation", IEEE International Conference on Technological Innovations in ICT for Agriculture and Rural Development (TIAR 2015).
- [9]. S. R. Nandurkar, V. R. Thool, R. C. Thool, "Design and Development of Precision Agriculture System Using Wireless Sensor Network", IEEE International Conference on Automation, Control, Energy and Systems (ACES), 2014.

- [10]. Muangprathub,J.,Boonnam,N.,Kajornkasirat,S.,Nillao r,p.,2018.IOT and agriculture data analysis for smart farm. Comput.Electron.Agric.156,467-474. <https://doi.org/10.1016/j.compag.2018.12.011>.
- [11]. Kamilaris, A., Kartakoullis, A., Prenafeta-Bold, F.X., 2017. A review on the practice of big data analysis in agriculture. *Comput. Electron. Agric.* 143, 23–37.
- [12]. Xian, K., 2017. Internet of things online monitoring system based on cloud computing. *Int. Jo. Online Eng. (iJOE)* 13 (9), 123–131. <https://doi.org/10.3991/ijoe.v13i09.7591>.
- [13]. Sarangi, S., Umadikar, J., Kar, S., 2016. Automation of agriculture support systems using Wisekar: case study of a crop-disease advisory service. *Comput. Electron. Agric.* 122, 200–210. <https://doi.org/10.1016/j.compag.2016.01.009>
- [14]. Ojha, T., Misra, S., Raghuvanshi, N.S., 2015. Wireless sensor networks for agriculture: the state-of-the-art in practice and future challenges. *Comput. Electron. Agric.* 118, 66–84.
- [15]. Luan, Q., Fang, X., Ye, C., Liu, Y., 2015. An integrated service system for agricultural drought monitoring and forecasting and irrigation amount forecasting. In: 23rd International Conference on Geoinformatics. IEEE, pp. 1–7.
- [16]. Lukas, Tanumihardja, W.A., Gunawan, E., 2015. On the application of IoT: monitoring of troughs water level using WSN. In: Conference on Wireless Sensors (ICWiSe). IEEE, pp. 58–62. <https://doi.org/10.1109/ICWISE.2015.738035>.
- [17]. Kanoun, O., Khrijji, S., El Houssaini, D., Viehweger, C., Jmal, M.W., Abid, M., 2014. Precision irrigation based on wireless sensor network. *IET Sci. Meas. Technol.* 8, 98–106. <https://doi.org/10.1049/iet-smt.2013.0137>
- [18]. Pang, Z., Chen, Q., Han, W., Zheng, L., 2015. Value-centric design of the internet-of things solution for food supply Chain: value creation, sensor portfolio and information fusion.*Inform.Syst.Front.*17,289–319.